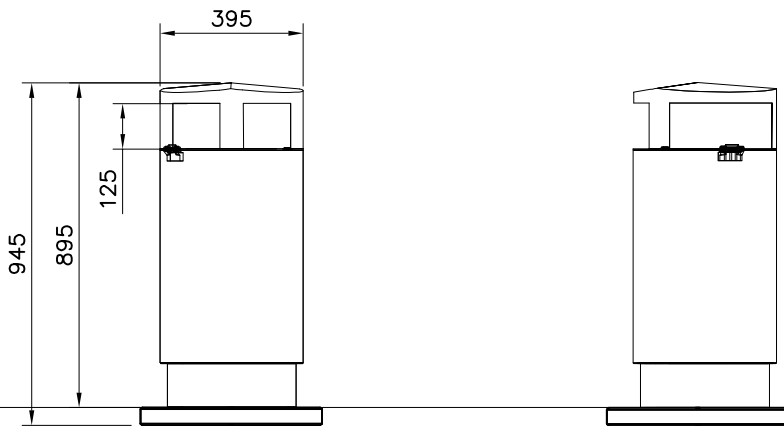
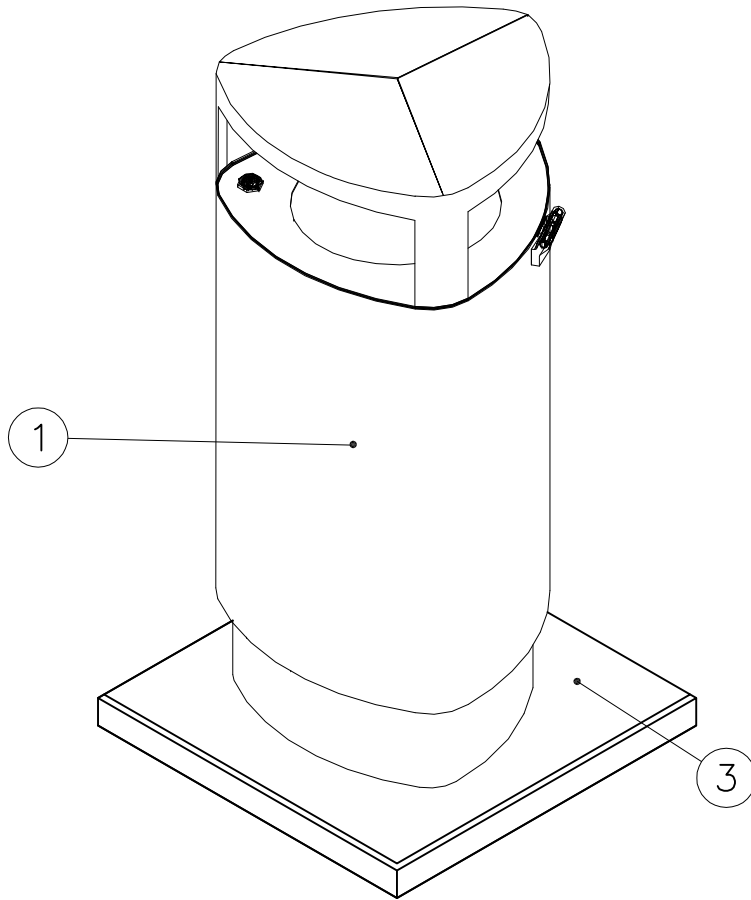


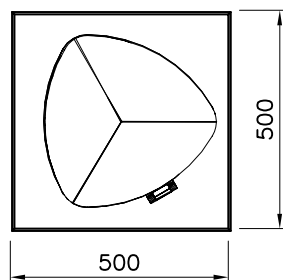
NF3920

DATE: 05.01.2013

1(1)

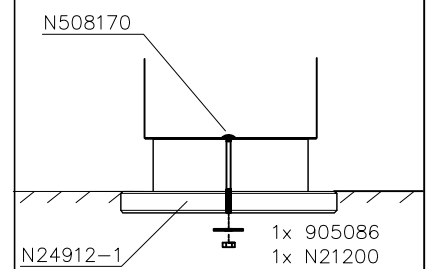


Volume: 69 litres



① N2482	PCS	② N00105	PCS
	1		1
		M12x660	
③ N24912-1	PCS	④ N21200	PCS
	1		2
Concrete		M12	
⑤ N905086	PCS	⑥ N508170	PCS
	1		1
13.5x44x4		M12x170	
⑦ N31228	PCS	⑧ N00101	PCS
	1		1
12.5x26x2		Key	

OPTION 1



OPTION 2

