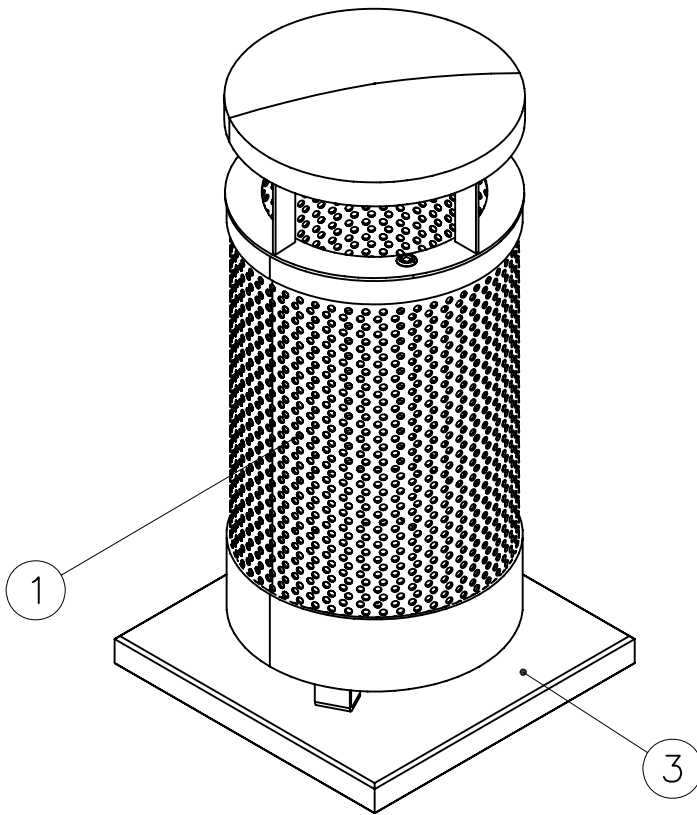







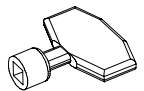


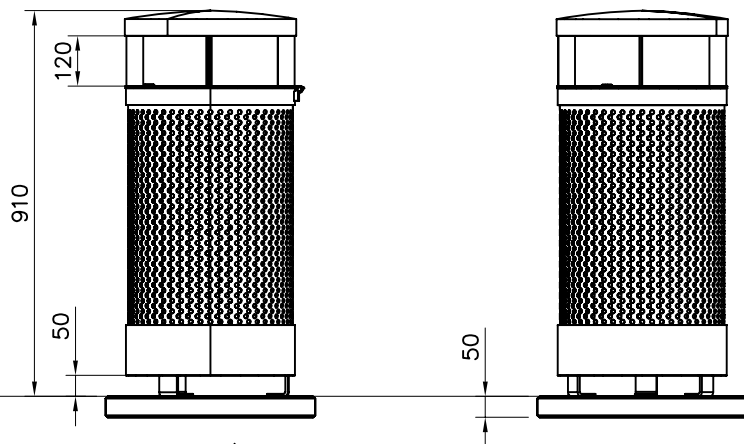
NF2480

DATE: 05.02.2008

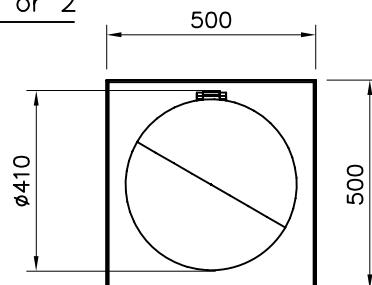
1(1)



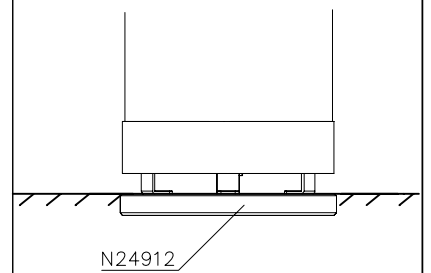
① N24811	PCS	② N00105	PCS
	1		1
		M12x660	
③ N24912	PCS	④ N21200	PCS
	1		2
Concrete		M12	
⑤ N905086	PCS	⑥ N00144	PCS
	1		1
13.5x44x4		M12x110	
⑦ N31228	PCS	⑧ N00101	PCS
	1		1
12.5x26x2		Key	



OPTION 1 or 2



OPTION 1



OPTION 2

