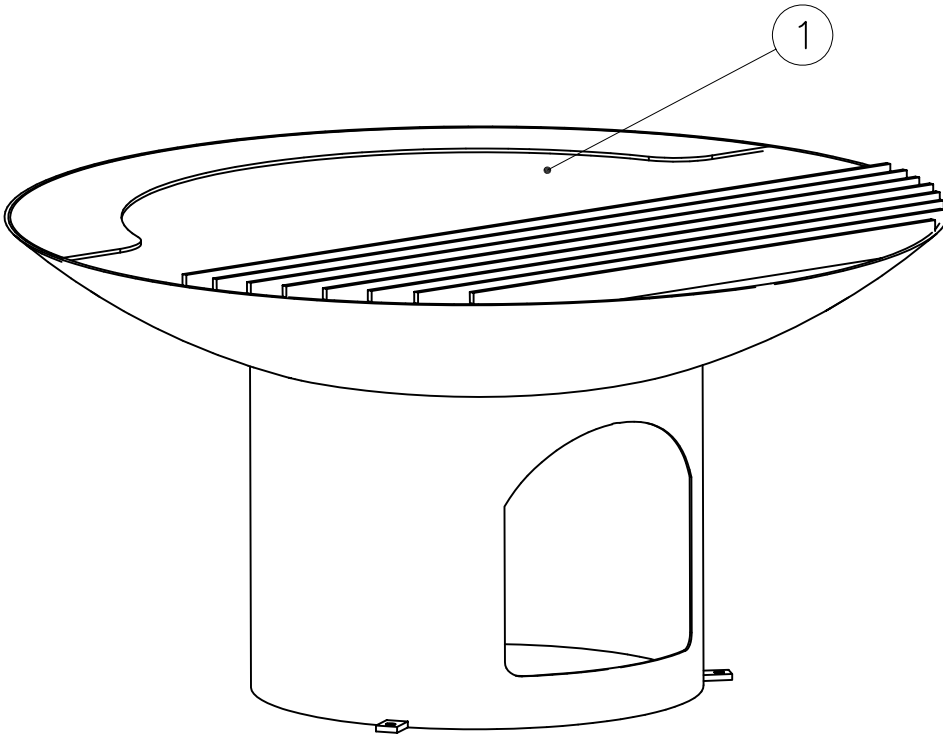
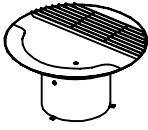




NF7690

DATE: 22.10.2008

1(1)



① NF7690	PCS	② N00129	PCS
	1		3
		M12x500	
③ N01802	PCS		PCS
	3		
M12			
	PCS		PCS
	PCS		PCS
	PCS		PCS
	PCS		PCS

