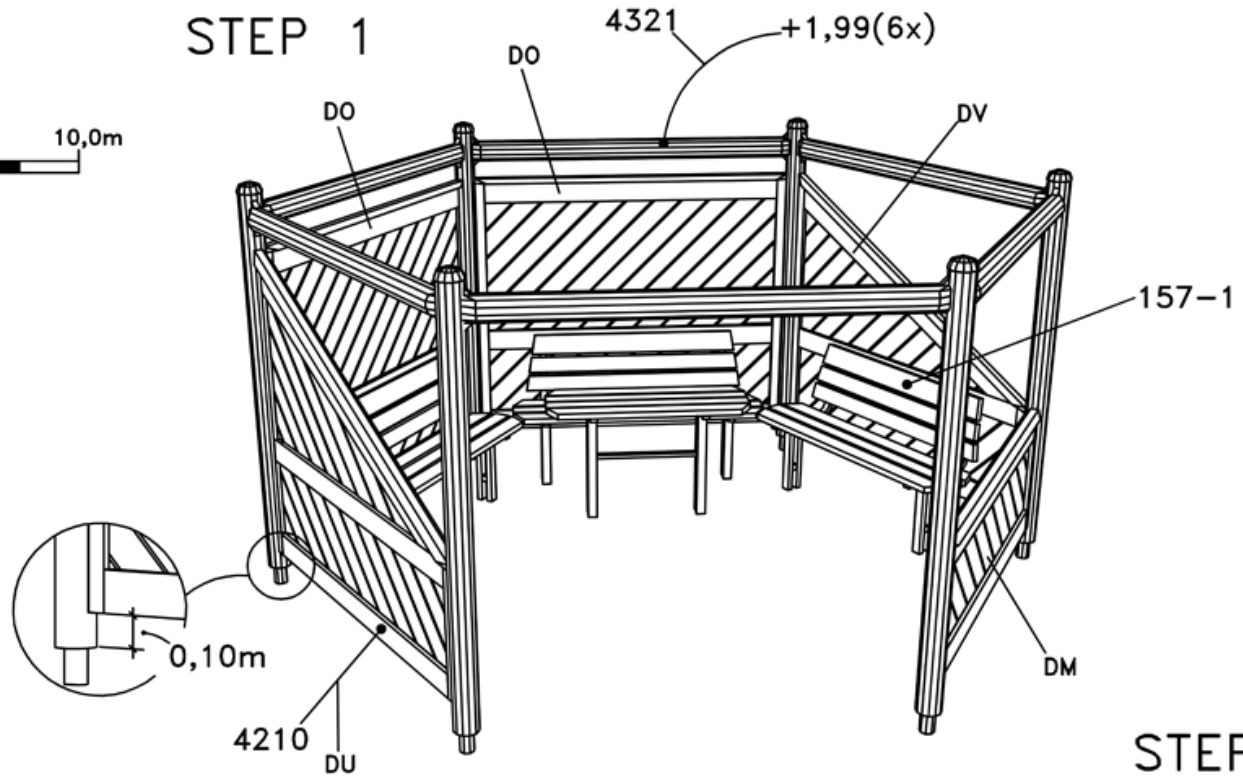
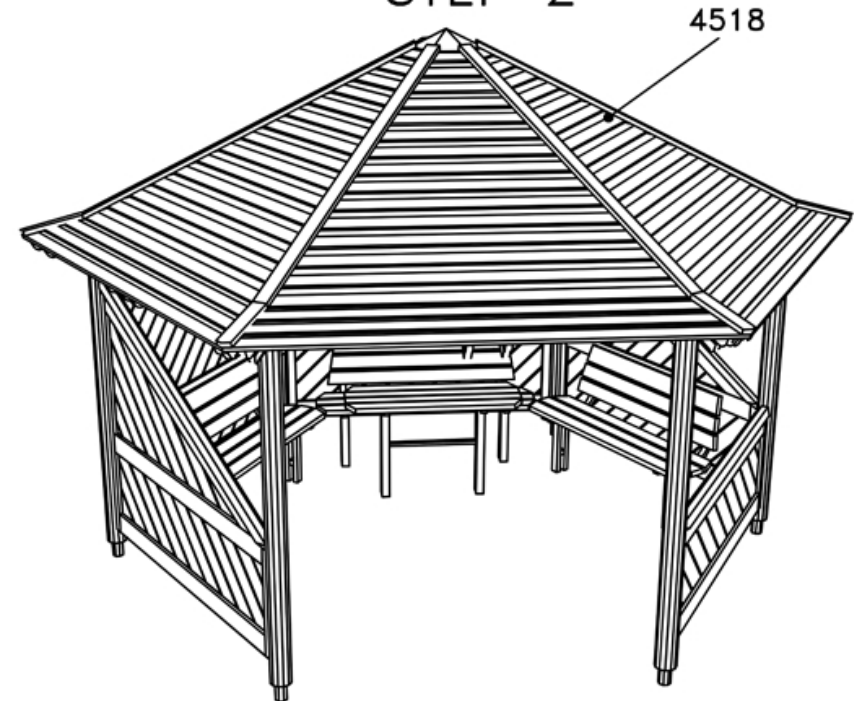


STEP 1



STEP 2



PALMA

408801

ACJ
 JOT
2003-06-10
6



17,0h



Varje vecka
Every week
Jede woche
Chaque semaine



Varje säsong
Every season
Jedes Jahr
Chaque saison

| POS-NR | ART-NR | ANTAL/QUANTITY |
|--------|-----------|----------------|
| POS-NO | ART-NO | MENGE/QUANTITE |
| 157-1 | 157821 | 3 |
| 157-1 | 157826 | 1 |
| 4081:A | 410080 | 6 |
| 4518 | 410538 | 1 |
| 4210 | 41X214 DU | 1 |
| 4210 | 41X215 DV | 1 |
| 4210 | 41X216 DM | 1 |
| 4210 | 41X218 DO | 2 |
| 4210 | 41X224 | 2 |
| 4210 | 41X228 | 3 |
| 4518 | 41X518 | 6 |
| 4518 | 41X519 | 6 |
| 4518 | 41X520 | 6 |
| 4081 | 41X006 f | 6 |
| 4321 | 41X341-01 | 6 |
| | 491801 | 1 |

X=2,4,6,8