

### TECHNICAL CHARACTERISTICS

- > Models: 3 or 6 spaces, single or double sided
- > Structure: steel posts  $\varnothing$  76 mm, hoops  $\varnothing$  22 mm
- > Space between each loop for a wheel: 50 mm
- > Choose from four top caps: City, Agora, Sphere or brushed stainless steel

### INSTALLATION

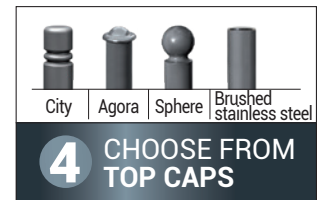
- > Installation: on base plates



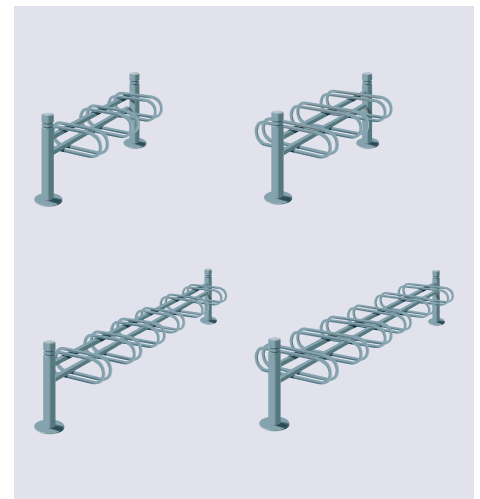
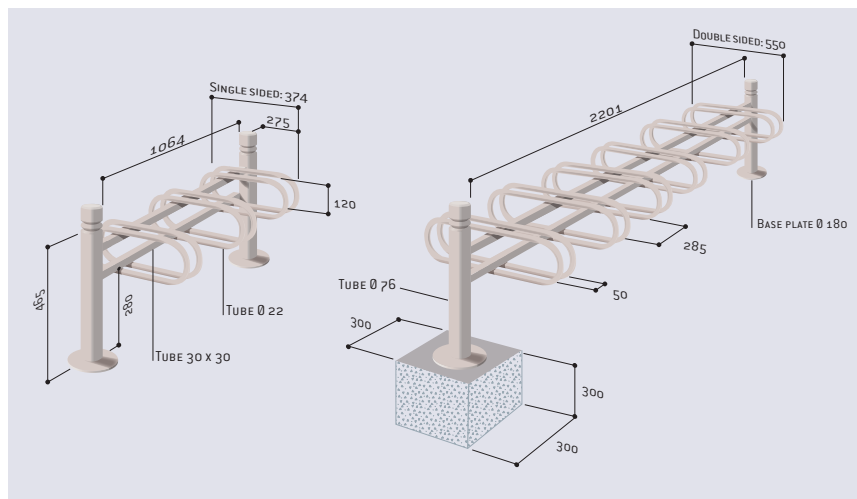
Code 207314

### PRODUCT CODES

	City	Agora	Sphere	Brushed stainless steel
<b>Single-sided</b>				
3-space	207365	207360	207361	207364
6-space	207315	207310	207311	207314
<b>Double-sided</b>				
3-space	207355	207350	207351	207353
6-space	207325	207320	207321	207323



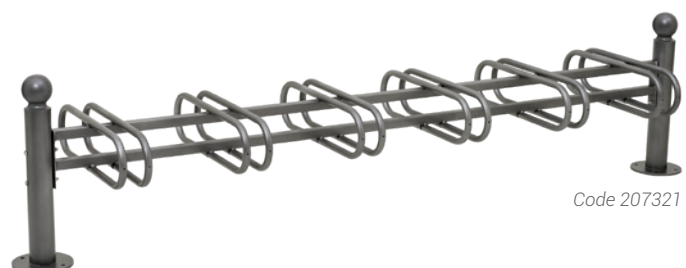
### DRAWINGS



### FINISH PAINTED

- > Finish: galvanised & painted in our colours

RAL 3020	RAL 3004	RAL 5010	RAL 6005	RAL 8017
RAL 7044	RAL 9010	RAL 9005	PROCITY® Grey	Corten effect



Code 207321