

# KUBE. RECYCLING point

2 x 60 litres



Front door

Large storage capacity



All-steel version

Steel and wood version



**TECHNICAL SPECIFICATIONS**

- > Dimensions:  
lengths 450 x widths 450 x height 750 mm
- > Capacity: bag holder for two 60-litre bags (bags not supplied)
- > Opening system: front door, locked by Triangle key
- > Structure :
  - Steel and wood version: in 22 mm thick exotic wood
  - Full still version

**INSTALLATION RECOMMENDATIONS**

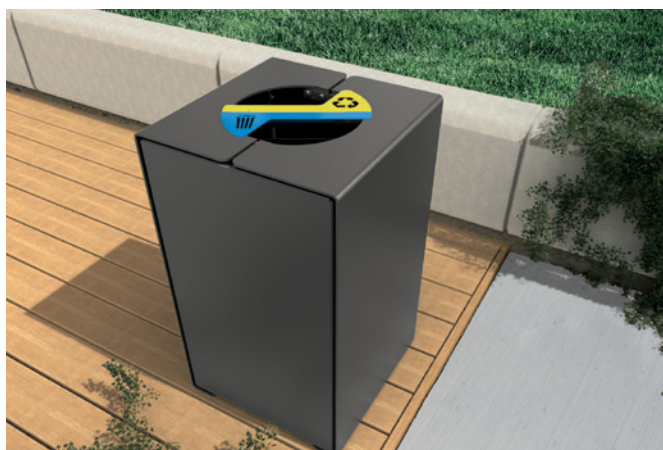
- > Fixed with anchor rods (not supplied)

**OPTION**

- > Stainless steel ashtray to be glued

**REFERENCES**

Steel and wood version	306181
All-steel version	306180
<b>Options</b>	
Cigarette stubber	208181

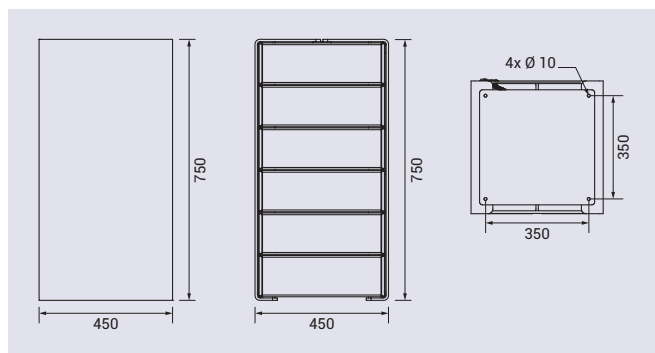


Ref. 306180



Ref. 306180

**DIAGRAM**



**PAINT FINISH**

- > Zinc rich primer and painted steel in monochrome or bicolour (for the all-steel version)
- > Wood finish in mahogany or light oak

RAL 3020	RAL 3004	RAL 5010	RAL 6005	RAL 8017	Light oak
RAL 7044	RAL 9010	RAL 9005	PROCITY® Grey	Corten effect	Mahogany



Ref. 306181