

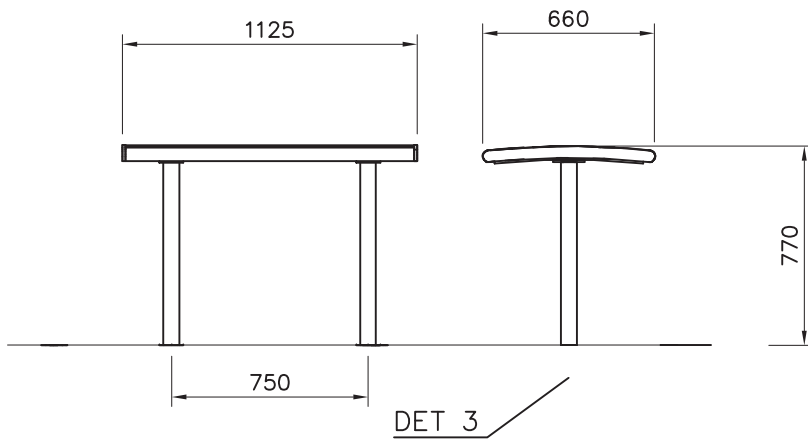
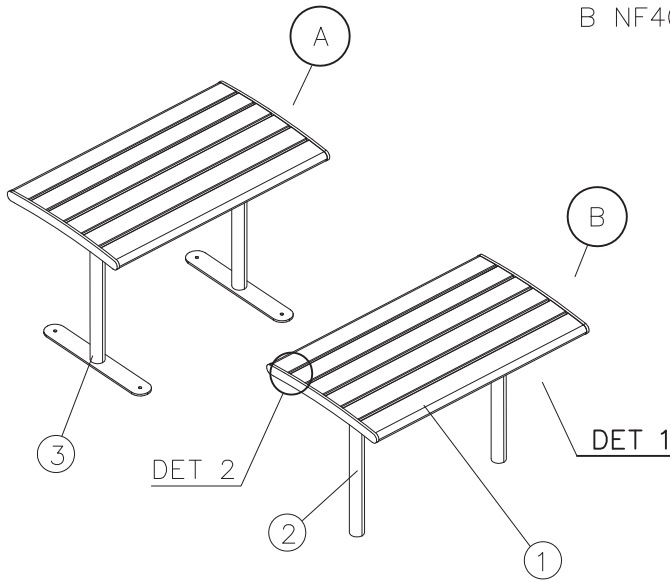
NF4016-17



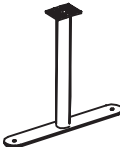




DATUM: 19.09.2016

1(1)

A NF4016

B NF4017



① Top part	PCS	② N40175	PCS
	1		2
		only B	
③ N40165	PCS		PCS
	2		
only A			
⑤ N01816	PCS	⑥ N03816	PCS
	8		8
M8x16		M8	
		⑦ N30612	PCS
			14
		M6	
⑧ N00191	PCS		PCS
	14		
M6x25			
	PCS		PCS
	PCS		PCS

