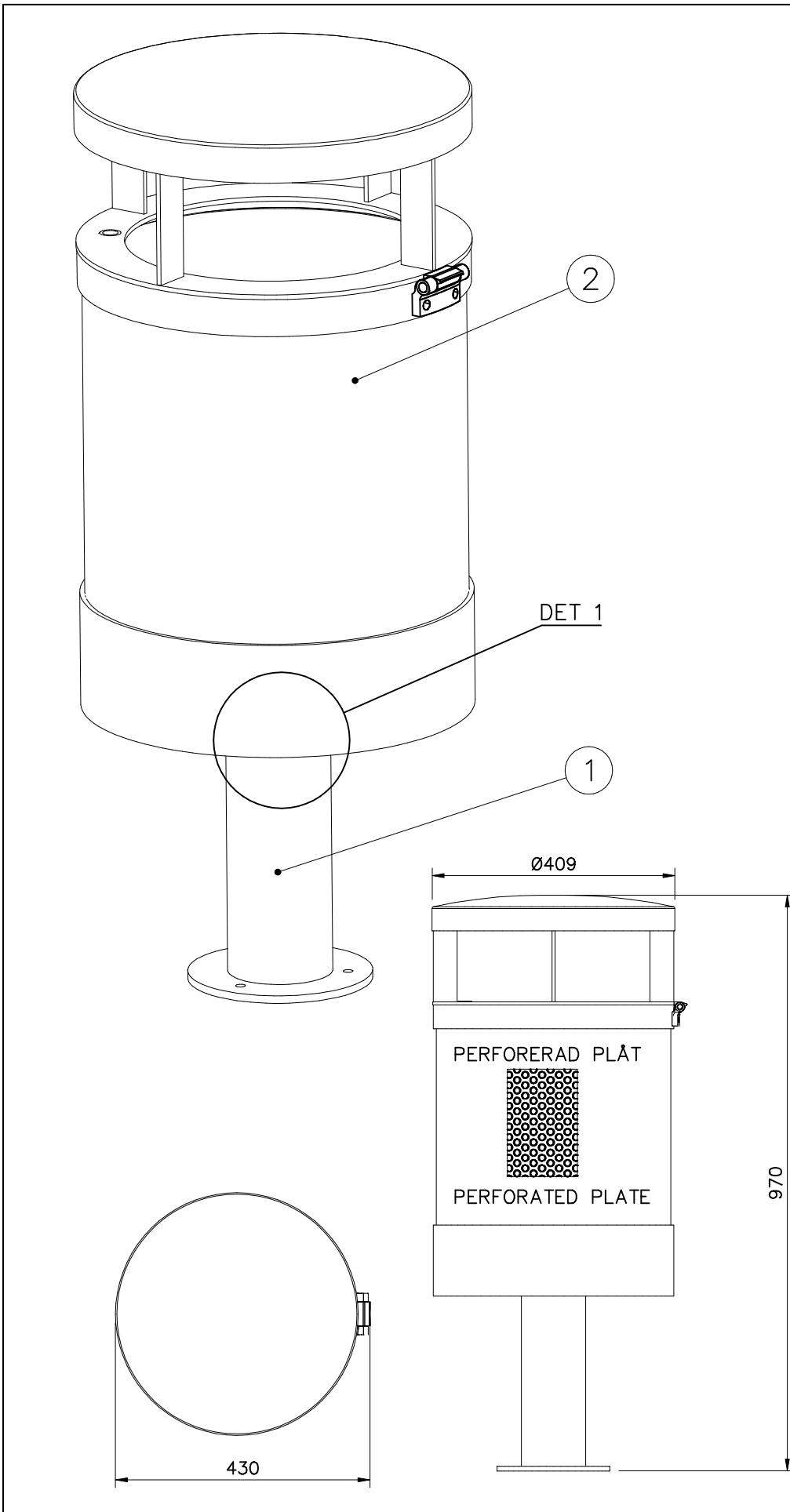


NF2486

DATUM: 10.5.2004

1(1)



① N24753	ST	② N24810	ST
	1		1
		N24851	1
③ N01800	ST	④ N01830	ST
	4		4
M8		8x30	
⑤ N03816	ST	⑥ N00101	ST
	4		1
8,4x16x1,5		nyckel	
	ST		ST
	ST		ST
	ST		ST
DET 1			