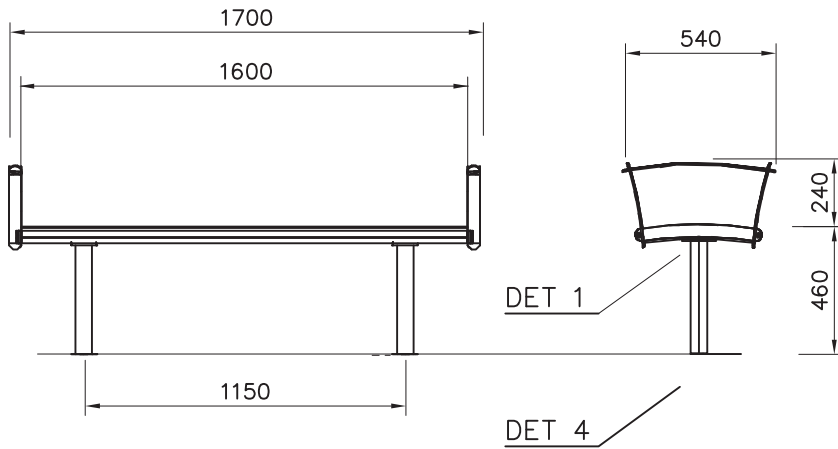
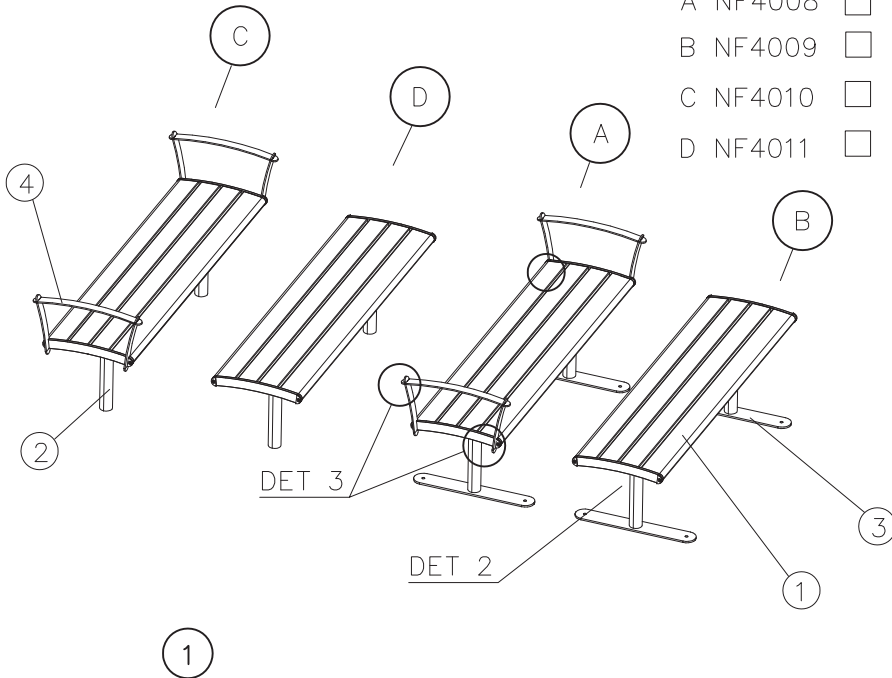


# NF4008-11

DATUM: 19.09.2016

1(1)

- A NF4008
- B NF4009
- C NF4010
- D NF4011



① Seat part	PCS	② N40024	PCS
	1		2
		only C & D	
③ N40004	PCS	④ N40082	PCS
	2		2
only A & B		only A & C	
⑤ N01816	PCS	⑥ N03816	PCS
	8		8
M8x16		⑦ N30612	PCS
			14
		M6	
⑧ N00191	PCS	⑨ N00192	PCS
	14		4
M6x25		M8x16	
	PCS		PCS
	PCS		PCS

