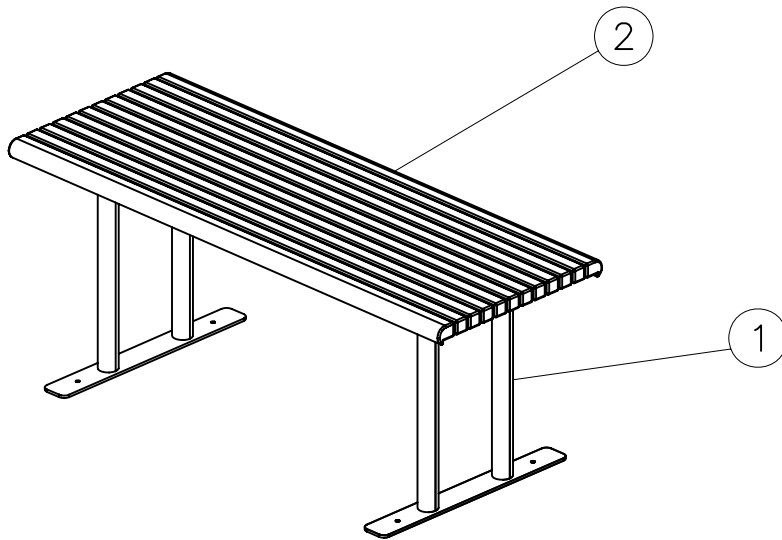
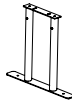

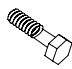



# NFJ2092

DATUM: 19.11.2009

1(1)



① N902497	PCS	② BORD	PCS
	2		1
Fristå. Fot		L=1750	
③ N11016	PCS	④ N31028	PCS
	4		4
M10x16		11,5x28x2	

