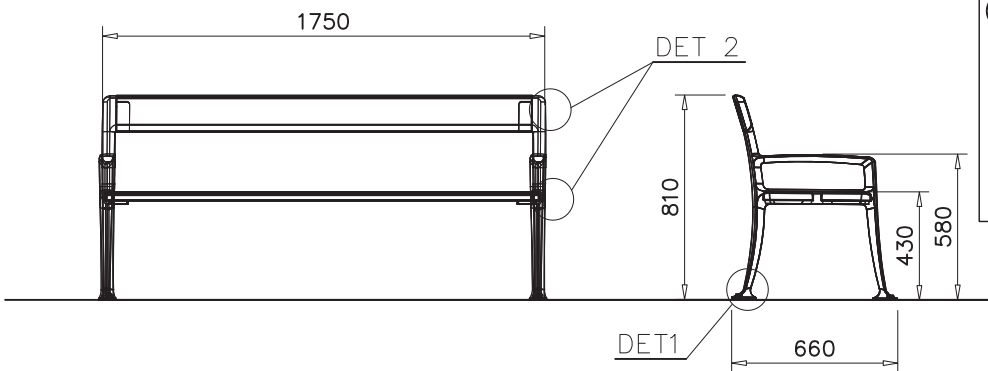
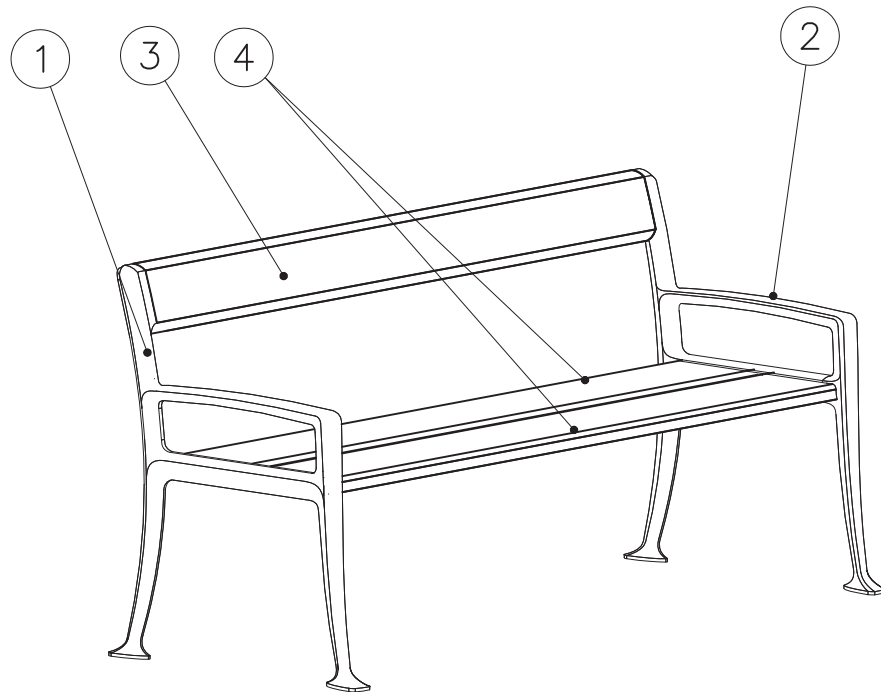


# NF3901

DATE: 22.4.2013

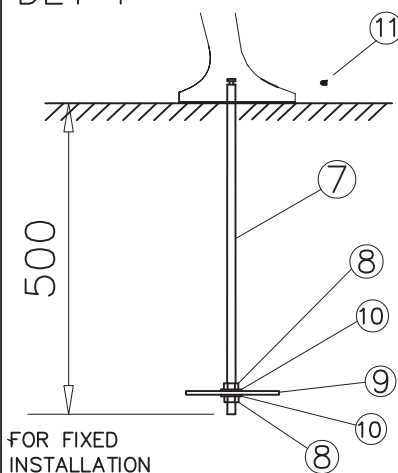
1(1)

ATTENTION! Read note in bottom page before installation start

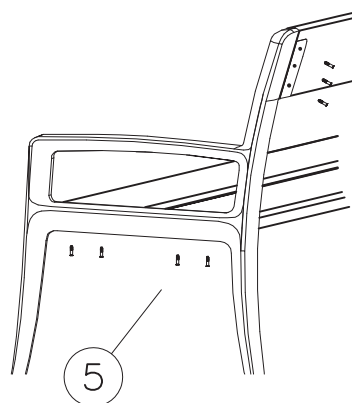


① N39011	PCS	② N39012	PCS
	1		1
RIGHT		LEFT	
③ N39013	PCS	④ N39014	PCS
	1		2
Back		Seat	
⑤ N00109	PCS	⑥ N00104	PCS
	14		1
7x30		Tool	
⑦ N39105	PCS	⑧ N21000	PCS
	4		8
L : 500 mm		M10	
⑨ N39016	PCS	⑩ N31028	PCS
	4		8
Steel plate		11,5x28x2	
		⑪ N00125	PCS
			4
		M6x10	

DET 1



DET 2



IMPORTANT NOTE:

- 1) Start by installing Seat parts
- 2) Now install Back parts
- 3) All screws will be tightened in the end of installation Back parts have to be tightened first !
- 4) Do not mix with parts from other packages