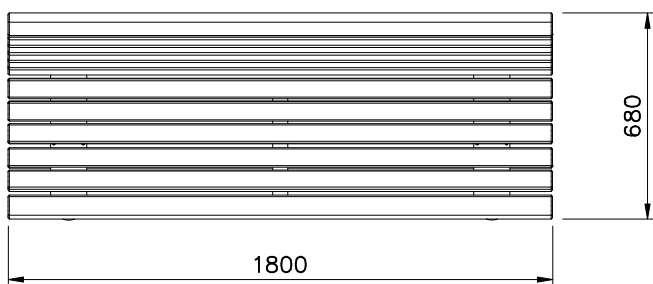
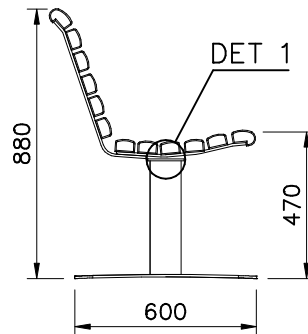
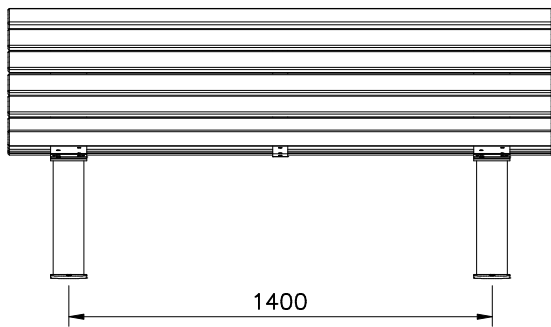
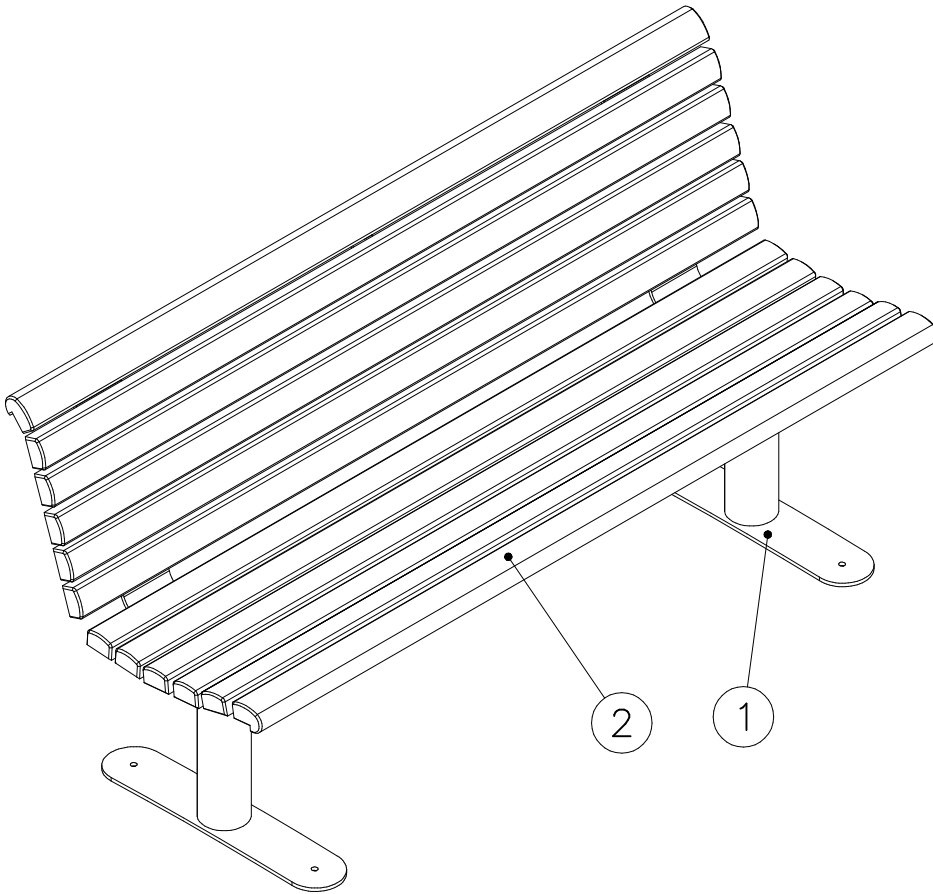
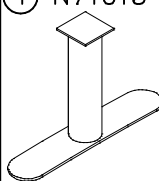

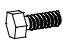



# NF7052 & NF7054

DATUM: 7.10.2004

1(1)



① N71015 	ST 2	② N70511 Jarrah  Furu N70513	ST 1
③ N01816  M8x16	ST 8	④ N03816  8,4x16x1,5	ST 8
	ST		ST
	ST		ST
	ST		ST
	ST		ST

DET 1

